

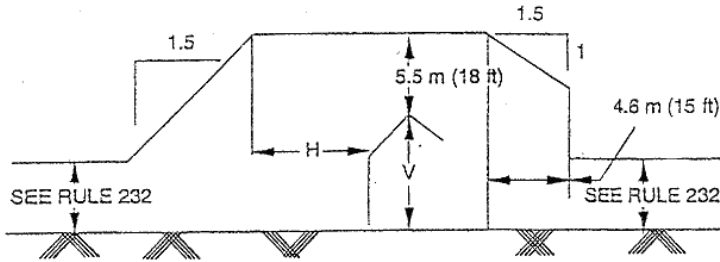
Clearance Envelope for Grain Bins Filled by Portable Augers, Conveyors, or Elevators

Source: American National Standards Institute (ANSI) C2-1997 "National Electric Safety Code," Rule 234f, page 110.

234F2a

PART 2. SAFETY RULES FOR OVERHEAD LINES

234F2a



$V =$ HEIGHT OF HIGHEST FILLING OR PROBING PORT ON GRAIN BIN
 $H = V + 5.5 \text{ m (18 ft)}$

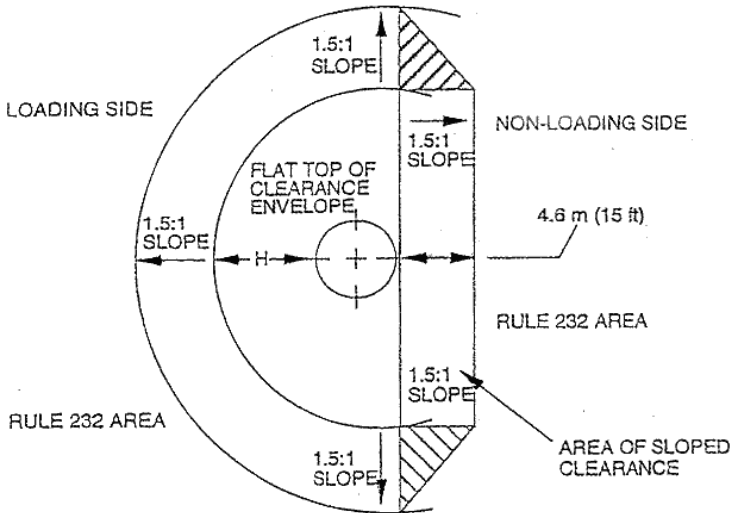


Fig 234-4(b)
 Clearance Envelope for Grain Bins Filled by
 Portable Augers, Conveyors, or Elevators